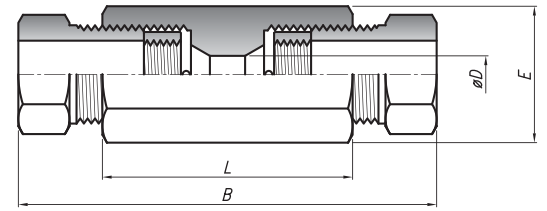


# MEDIA PRESIÓN ROSCA CILÍNDRICA MU 1.550 bar/22.500 psi

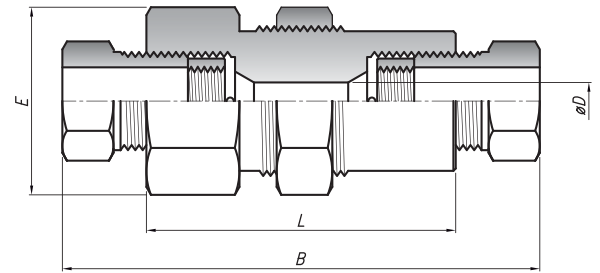
## CUPM Cupla MU

Modelo	Conexión MU H	DIMENSIONES (mm)			
		L	E	ØD	B
CUPM-2	1/4"	38	19	3	62
CUPM-3	3/8"	44	22	5	72
CUPM-5	9/16"	54	25.4	8	90
CUPM-6	3/4"	63.5	38.1	11	101



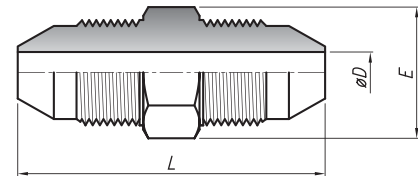
## CPPM Cupla Pasachapa MU

Modelo	Conexión MU H	DIMENSIONES (mm)			
		L	E	ØD	B
CPPM-2	1/4"	50.8	25.4	3	74.8
CPPM-3	3/8"	50.8	25.4	5	74.8
CPPM-5	9/16"	66.5	34.9	8	102
CPPM-6	3/4"	66.5	44.4	11	104



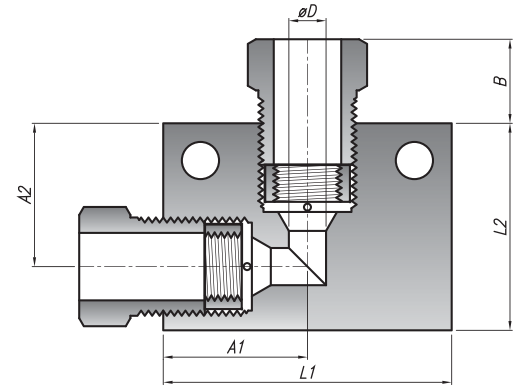
## ENTM Entrerrosca MU

Modelo	Conexión MU M	DIMENSIONES (mm)		
		L	E	ØD
ENTM-2	1/4"	45	12.7	3
ENTM-3	3/8"	55	15.8	5
ENTM-5	9/16"	65	22.2	8
ENTM-6	3/4"	75	28.5	11



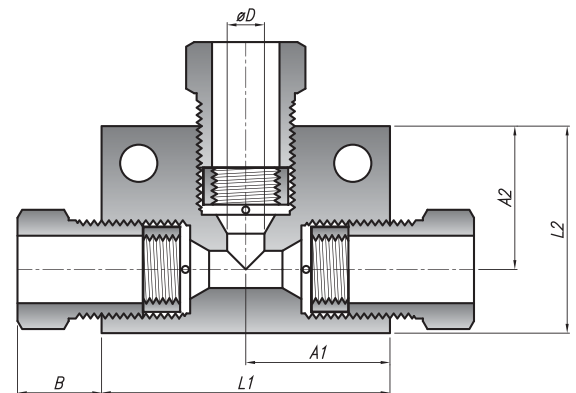
## CHHM Codo MU

Modelo	Conexión MU H	DIMENSIONES (mm)						
		L1	L2	Esp.	ØD	A1	A2	B
CHHM-2	1/4"	38.1	28.6	15.9	3	19.1	19.1	12
CHHM-3	3/8"	50.8	35.1	19	5	25.4	25.4	14
CHHM-5	9/16"	62	44.5	25.4	8	30.8	31	18
CHHM-6	3/4"	76.2	57.2	34.9	11	38.1	38.1	19



## THHM Tee MU

Modelo	Conexión MU H	DIMENSIONES (mm)						
		L1	L2	Esp.	ØD	A1	A2	B
THHM-2	1/4"	38.1	28.6	15.9	3	19.1	19.1	12
THHM-3	3/8"	50.8	35.1	19	5	25.4	25.4	14
THHM-5	9/16"	62	44.5	25.4	8	30.8	31	18
THHM-6	3/4"	76.2	57.2	34.9	11	38.1	38.1	19



## CPCM Collar + Prensa MU

Modelo	Conexión MU	E
CPCM-2	1/4"	12.7
CPCM-3	3/8"	15.8
CPCM-5	9/16"	22.2
CPCM-6	3/4"	28.5

