

## VE10ksi BALL VALVE 10,000 PSI

---

**ABAC** offers robust 2-way ball valves, entirely in AISI 316 stainless steel, for pressures up to 10,000 psi.

They are used in gas, including CNG; liquid and vacuum, instrumentation, process control, shipbuilding, oil and gas industries, and even offshore applications.

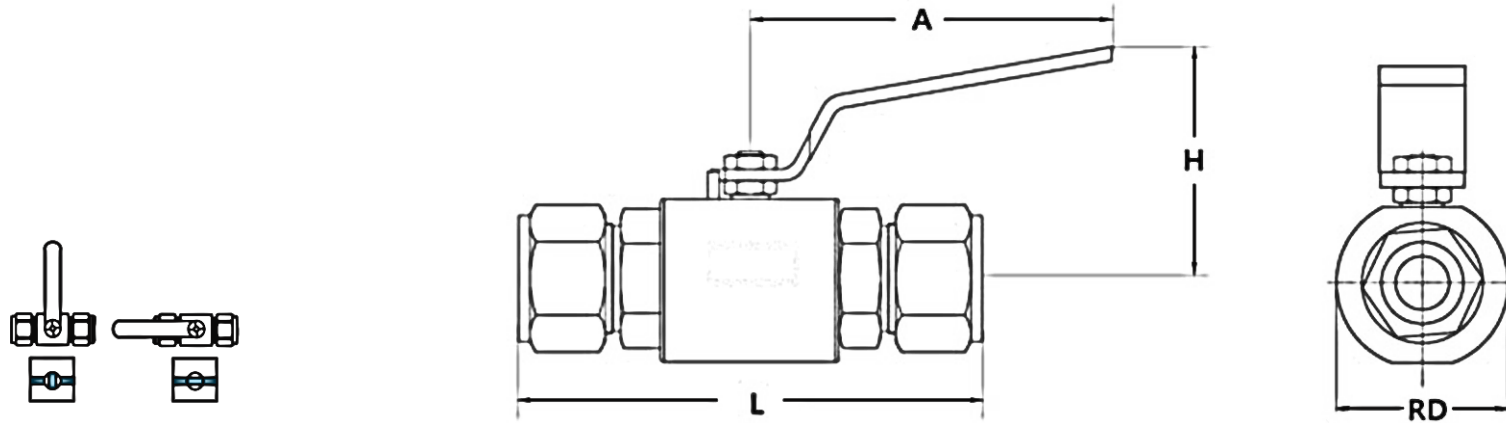
### Characteristics:

- Low operating torque from low to high pressure.
- Large passage provides exceptional flow (10 mm).
- ¼" or ½" NPT connections.
- High temperature service up to 500°F, with PEEK seats.
- Detachable handle design prevents unauthorized valve actuation.
- 100% tested.
- Optional, with pneumatic actuator (90°).



## VE10ksi BALL VALVE 10,000 PSI

### Dimensions:



Inlet / Outlet	Orifice (mm)	CV	L (mm)	H (mm)	A (mm)	RD (mm)
1/4" NPT	10	8	80	63.2	134	45
1/2" NPT	10	8	82	63.2	134	45