

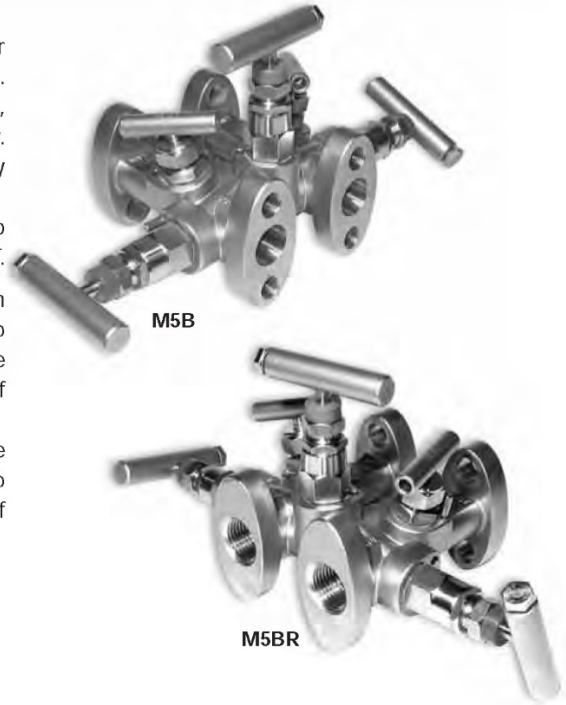
# M5B/M5BR 5-valve Manifold for Flanged Instruments

They are 5-valve manifolds designed for the flanged transmitter mounting with a 54 mm (2 1/8") distance between connections. Through a studied design all the effects of blocking, equalization, calibration and purging are combined in an investment casted body. The instrument is directly fixed on the manifold flanged face by means of 4 NF 7/16" bolts.

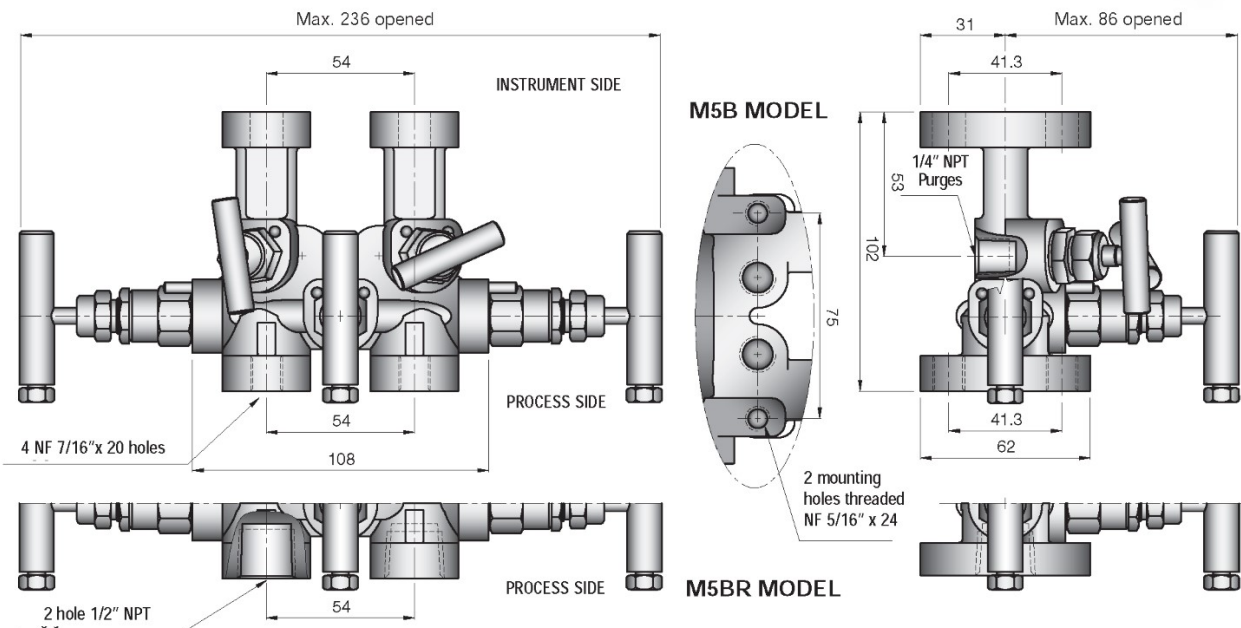
From the process side, flanged or threaded connections are set up according to the model. And the vent connections are threaded 1/4" NPT.

The **M5B** model is used when it is needed a direct connection with an orifice plate, allowing the transmitter to be placed very close to the process pipe. In this case the oval flanges of the transmitter are mounted on the other manifold flanged face to receive the signal of the process, by 1/2" pipe.

The **M5BR** model is used when a direct connection with an orifice plate is not needed. From the process side, the manifold brings two 1/2" NPT threaded connections to receive the signal by means of tubing and connector.



## Mounting Measures



## Ordering Information

	<b>M5B</b>	- <b>C</b>	<b>G</b>	-	
<b>Model</b>					<b>Options (see page 3)</b>
<b>M5B</b>	: Flange / Flange				
<b>M5BR</b>	: Flange / Thread				
<b>Seat</b>					<b>Packing</b>
<i>Empty</i>	: Integral. Metal Seat.				<b>T:</b> PTFE
<b>AD</b>	: Acetal				<b>G:</b> Graphoil
<b>AE</b>	: Peek   Soft Seat.				<b>V:</b> Fluorelastomer
					<b>Material</b>
					<b>C:</b> Carbon Steel
					<b>I:</b> Stainless Steel