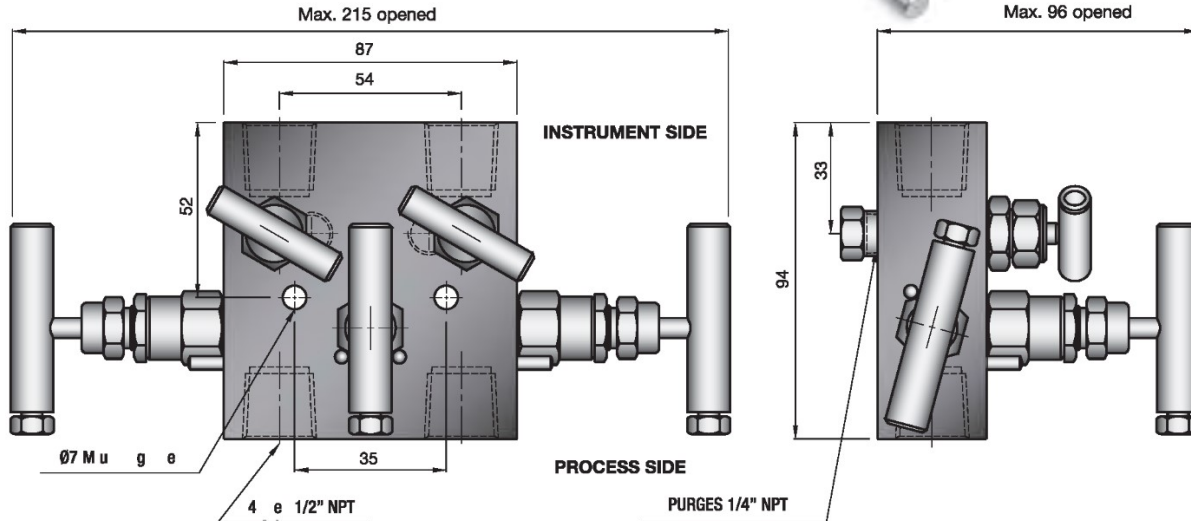


# M5 5-Valve Manifold. Threaded connections

General application manifold designed for manometers and differential pressure transmitter remote mounting. Their 1/2" NPT threaded connections to process and instrument allow its installation in any convenient point between the process and the transmitter or manometer. It has threaded 1/4" NPT vent connections.



## Mounting Measures



## Ordering Information

**M5 - C G -**

### Model

### Connections

Empty : 1/2 NPT. Standard  
25 : 1/4 NPT

### Seat

Empty : Integral. Metal Seat.  
AD : Acetal | ot eat  
AE : Peek | ot eat

### Options (see page 3)

### Packing

T: PTFE  
G: Graphoil  
V: Fluorelastomer

### Material

C: Carbon Steel  
I: Stainless Steel