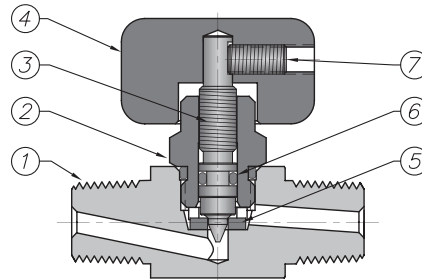


# VTM Sampling cylinders valve

Needle valve specially designed to be employed in sampling cylinders where a gas-tight sealing, low torque operation and reliability against repeated operations with no leakage are essentials. Its robust design tolerates high torque operation, and its polymer soft seat can be replaced easily

## Characteristics

- Soft, replaceable seat seal ensures low operating torque and long life. In case of damage due to presence of solids or excessive operating torque, its simple replacement process can recover the initial conditions of use.
- Fluoroelastomer O-ring seal below the stem threads, which keeps it isolated from the process fluid and prevents contamination of the stem lubrication. Provides low torque operation and requires no maintenance
- Silver coated stem thread prevents galling, extends life of the valve and assures low torque operation
- Red anodized aluminum handle that protects stem against shock and bends.
- Ultra low profile, prevents handle protrude outside cylinder
- PCTFE seat assures high chemical compatibility
- Wet metal part made of AISI 316



## Specifications

Maximum working pressure @70°F: 3000 PSI

Maximum temperature: see ordering information.

## Standard Materials

Part	Material	Specification
1 Body	SS 316	A276/A479
2 Bonnet	SS 316	A276/A479
3 Stem	SS 316	A276/A479 Thread silver plated
4 Handle	Aluminium	Anodized
5 Seat	PCTFE	(Kel-F) Opt. PEEK
6 O'Ring Seal	FKM	Fluoroelastomer
7 Set Screw	Carbon Steel	Dorrtech

## How to Order

### VTM 25M

#### Model

#### Connections

25M : 1/4 NPT MM  
25MH : 1/4 NPT MF

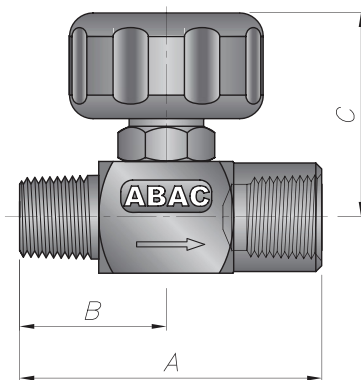
#### Opcionales

OX : Oxygen applications  
PC: strapping option

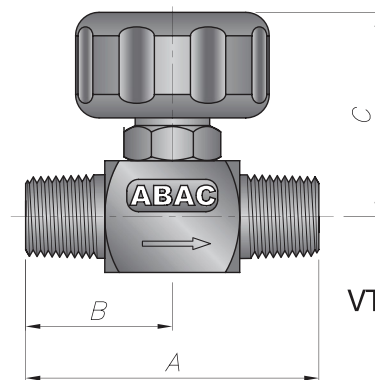
#### Sellos

Empty: fluorocarbon (-29°C a 204°C)  
B : Buna N (-40°F a 250°F)  
E : Ethylene Propylene (-65°F a 300°F)  
S : Silicone (-70°F a 450°F)

## Installment required measures



VTM 25MH



VTM 25M

Connections		Model	Orifice (mm)	Dimensions [mm]		
Inlet	Outlet			A	B	C open
1/4 NPT M	1/4 NPT M	VTM25M	3	53	26	38
1/4 NPT M	1/4 NPT F	VTM25MH	3	53	26	38